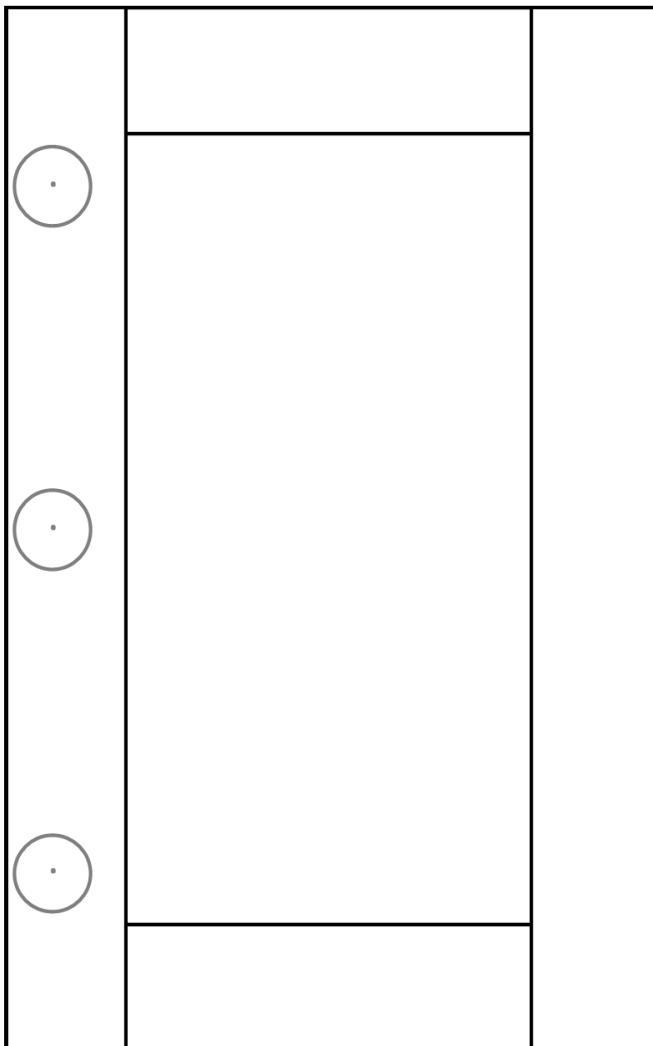
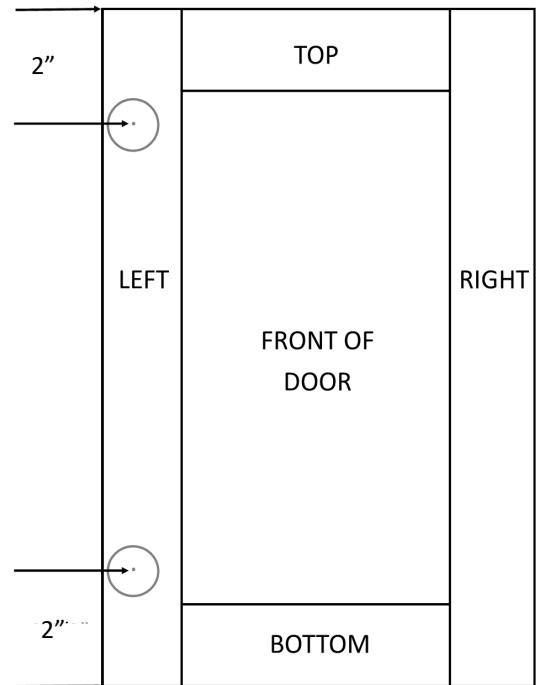


BORE PLACEMENT AND TECHNICAL DETAILS

DOORS OVER 40" IN HEIGHT WILL REQUIRE A 3RD BORE HOLE. THIS IS AUTOMATICALLY ADDED AT NO EXTRA CHARGE.

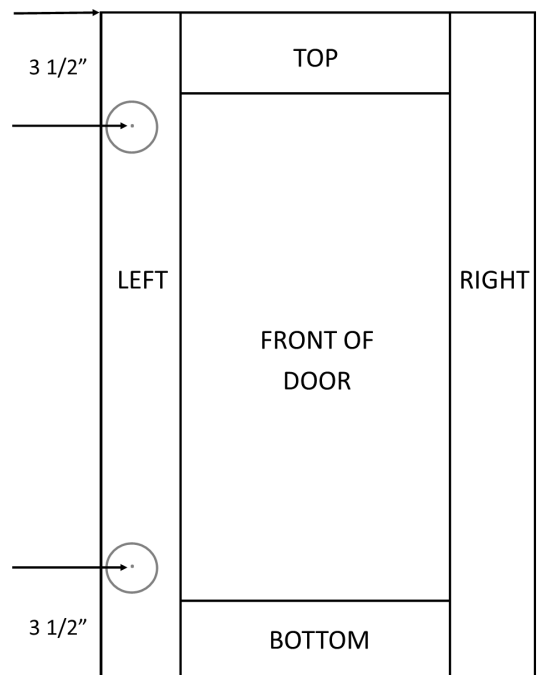


BORE PLACEMENT FOR DOORS 11" AND UNDER IS 2" FROM THE TOP AND BOTTOM OF THE DOOR TO THE CENTER OF THE 35MM BORE HOLE.

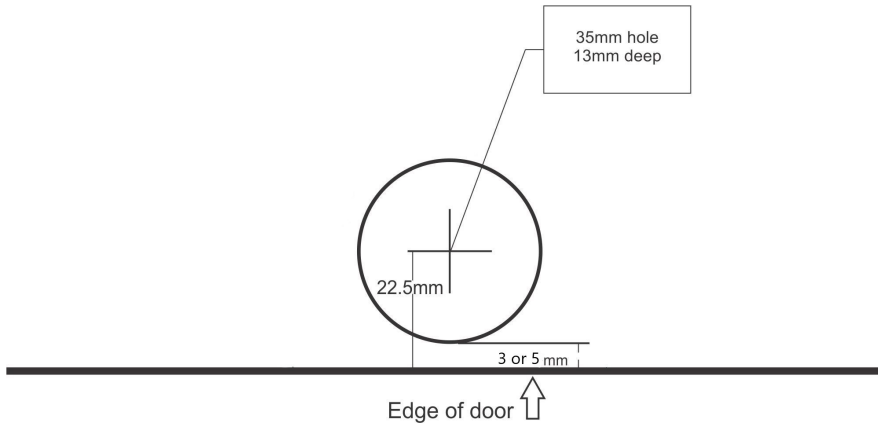


STANDARD BORE PLACEMENT IS 3 1/2" INCHES FROM THE TOP AND BOTTOM OF THE DOOR TO THE CENTER OF THE 35MM BORE HOLE.

BORE PLACEMENT CAN BE MOVED FOR AN ADDITIONAL CHARGE BUT WILL REQUIRE A DRAWING. PLEASE INQUIRE VIA EMAIL SALE@CABINETDOORS.COM OR IN THE ADDITIONAL INSTRUCTIONS.

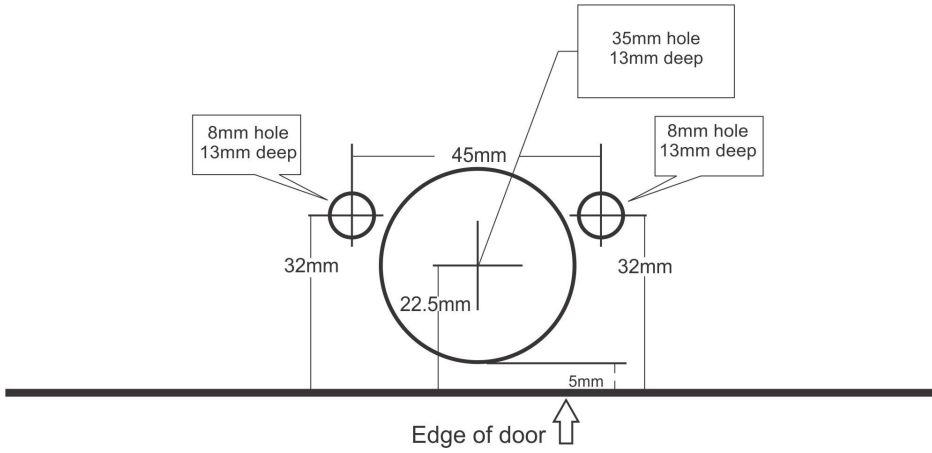
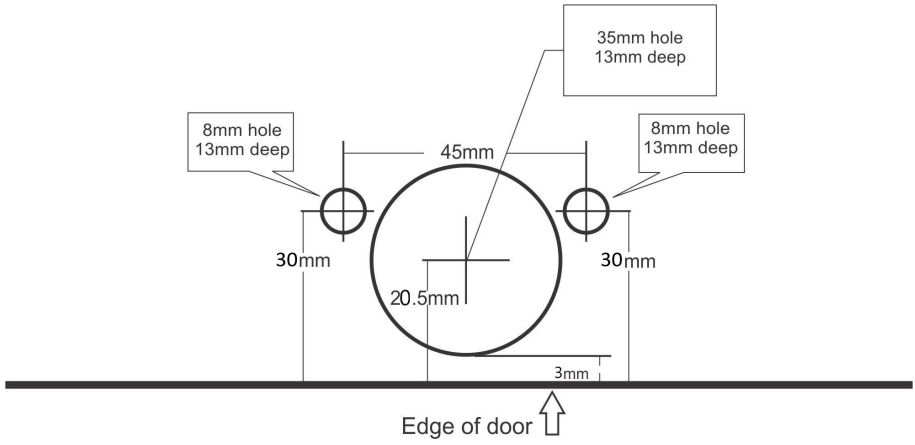


IMPORTANT: THE BORE OFFSET IS DETERMINED BY THE HINGE YOU WILL BE USING



BORE/NO PILOTS
BORE ONLY AT 3MM OR 5MM
NO PILOTS (Must be requested in the Additional Instructions Section)

BORE ONLY AT 3MM



BORE ONLY AT 5MM
BORE-CLIP TOP INSERTA

BORE-COMPACT 38N

